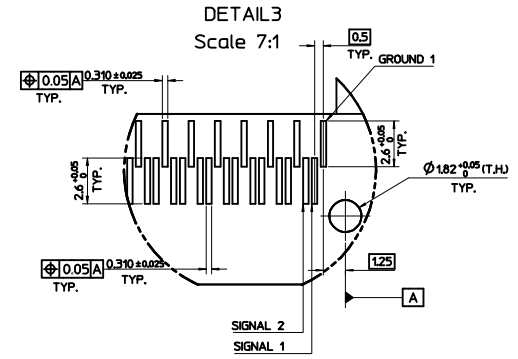
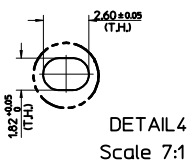
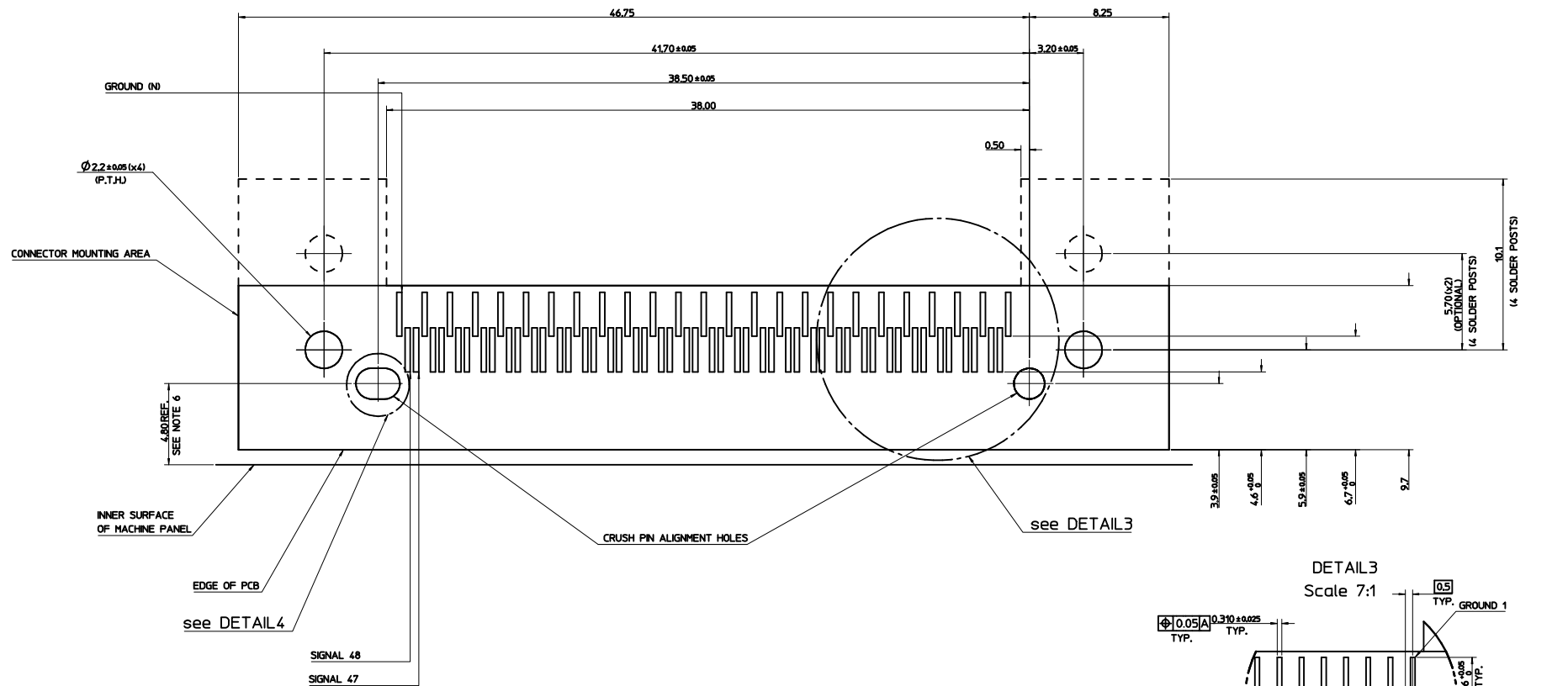


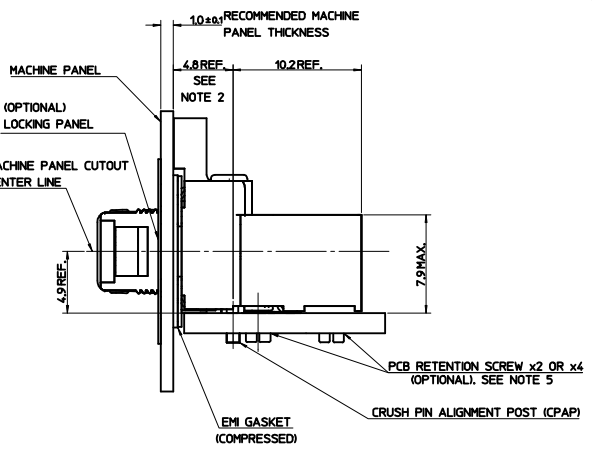
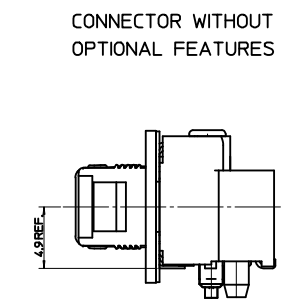
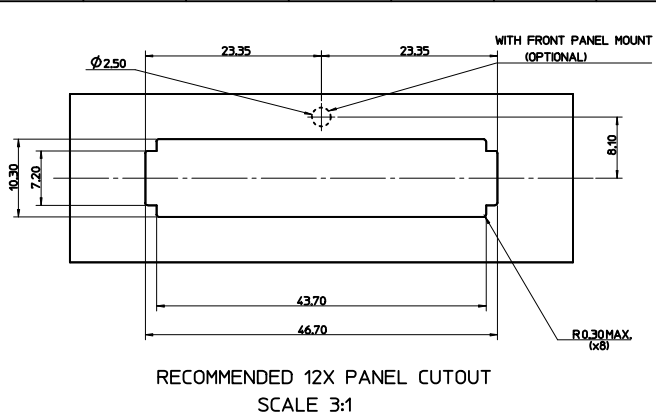
- NOTES:
1. PRODUCT SPECIFICATION PS-91525-001
  2. PACKAGING SPECIFICATION PK-91803-001
  3. SCREW THREAD M2.0 X 0.4 PITCH TAPPED THROUGH, RECOMMENDED SCREW M2 X 0.4 PITCH. LENGTH 8mm. WITH A PAN HEAD, RECOMMENDED TORQUE 0.3Nm MAX.
  4. CPAP USED TO ALIGN THE SOLDER TAILS WITH THE SOLDER PADS
  5. SCREW THREAD M2.0 X 0.4 PITCH TAPPED THROUGH, RECOMMENDED SCREW M2 X 0.4 PITCH. LENGTH 5mm. WITH A PAN HEAD, RECOMMENDED TORQUE 0.3Nm MAX.
  6. RECEPTACLE CONTACTS 127um MIN NICKEL ALL OVER CONTACT AREA 0.10 um MIN GOLD OVER 0.76um MIN PALLADIUM NICKEL SMT AREA 3um MIN TIN.
  7. PCB DATUM B = B1 + B2 + B3
  8. PCB RETENTION OPTIONS:  
2 OR 4 SCREWS. (4 FOR REAR MOUNT OPTION).  
2 OR 4 SOLDER POSTS. (4 FOR REAR MOUNT OPTION).
  9. LOCKING PANEL (91532) ONE PER CONNECTOR ORDER SEPARATELY. SEE SALES DRAWING SD-91532-001
  9. FOR 4X PARTS PLEASE REFER TO SD-91804-001 (FOAM GASKET) AND SD-91804-003 (METAL GASKET)

MOD TO SUB HOUSING ELEC NO: E2008-0258 D DRAWNLK/TERMAN CHKD: 2008/05/02 APPR:BMAGUIRE 2008/05/06 REV	QUALITY SYMBOLS $\nabla=0$ $\nabla=0$	GENERAL TOLERANCES (UNLESS SPECIFIED) mm INCH 4 PLACES $\pm$ --- $\pm$ --- 3 PLACES $\pm$ --- $\pm$ --- 2 PLACES $\pm 0.10$ $\pm$ --- 1 PLACE $\pm 0.2$ $\pm$ --- ANGULAR $\pm 2^\circ$	DIMENSION STYLE MM ONLY DRAWN BY DATE DWALSH 11/11/04 CHECKED BY DATE KDELANEY 18/11/04 APPROVED BY DATE JWALLACE 25/11/04	SCALE 5:1 DESIGN UNITS METRIC THIRD ANGLE PROJECTION	TITLE 12X LATCH SALES DRAWING	MATERIAL NO. SEE SHEET 4 & 5 SD-91525-004	DOCUMENT NO. MOLEX INCORPORATED	SHEET NO. 1 OF 5
	DRAFT WHERE APPLICABLE MUST REMAIN WITHIN DIMENSIONS	THIS DRAWING CONTAINS INFORMATION THAT IS PROPRIETARY TO MOLEX INCORPORATED AND SHOULD NOT BE USED WITHOUT WRITTEN PERMISSION						



- NOTES:
1. REFER TO SHEET 1 FOR ANY UNSPECIFIED NOTES OR DIMENSIONS.
  2. AREAS OUTLINED TO BE FREE OF COMPONENTS
  3. ALL HOLE SIZES ARE FINISHED HOLE SIZES.
  4. FOR ANY UNSPECIFIED DIMENSIONS OR NOTES SEE SHEET 1
  5. RANGE OF PCB THICKNESSES: 1.6 TO 2.10mm INCLUSIVE.  
LONGER SOLDER POSTS AVAILABLE FOR OTHER PCB THICKNESSES.  
FOR FURTHER INFORMATION PLEASE CONTACT LOCAL SALES OFFICE.
  6. THE DESIGN CAN ACCOMMODATE DIFFERENT VALUES OF THIS DIMENSION BY VARYING THE EMI GASKET THICKNESS. FOR FURTHER INFORMATION PLEASE CONTACT YOUR LOCAL SALES OFFICE

SEE SHEET 1 EC NO: E2008-0258 D: DRINKLIERMAN 2008/04/28 CHKD: 2008/05/02 APPR: BMAGUIRE 2008/05/06	QUALITY SYMBOLS ▽=0 ▽=0	GENERAL TOLERANCES (UNLESS SPECIFIED)		DIMENSION STYLE MM ONLY		SCALE 8:1	DESIGN UNITS METRIC	THIRD ANGLE PROJECTION	
		4 PLACES ± --- ± --- 3 PLACES ± --- ± --- 2 PLACES ± 0.10 ± --- 1 PLACE ± 0.2 ± --- ANGULAR ± 2 °	mmm INCH --- --- --- --- --- --- --- ---	DRAWN BY DWALSH 11/11/04	DATE 11/11/04	TITLE 12X LATCH SALES DRAWING		MOLEX INCORPORATED	
DRAFT WHERE APPLICABLE MUST REMAIN WITHIN DIMENSIONS		SEE SHEET 4 & 5		APPROVED BY JWALLACE 25/11/04		DOCUMENT NO. SD-91525-004		SHEET NO. 2 OF 5	



(OPTIONAL)  
FRONT PANEL MOUNT

EMI GASKET

LATCH

SHIELD

(OPTIONAL) PCB  
REAR MOUNTING HOLES

SOLDER POST OR  
SCREWS (x2) OR (x4)

SEE NOTE 3

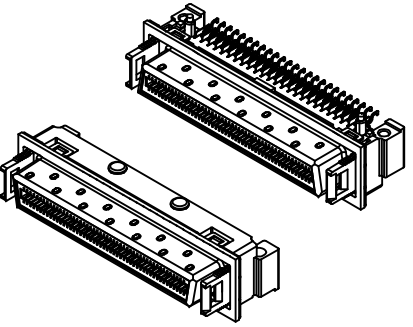
12X PANEL CUTOUT WITH  
FRONT PANEL MOUNT

LOCKING PANEL WITH  
FRONT PANEL MOUNT (OPTIONAL)

- NOTES:
- REFER TO SHEET 1 FOR ALL UNSPECIFIED NOTES AND DIMENSIONS.
  - FINAL ASSEMBLY DIMENSIONS
  - PCB RETENTION OPTIONS:  
2 OR 4 SCREWS, (4 FOR REAR MOUNT OPTIONS)  
2 OR 4 SOLDER POSTS, (4 FOR REAR MOUNT OPTIONS)
  - LOCKING PANEL (91532) ONE PER CONNECTOR ORDER SEPARATE SEE SALES DRAWING SD-91532-001
  - RECOMMENDED SCREW M2 X 0.4 PITCH, LENGTH 8MM, WITH A PAN HEAD.  
RECOMMENDED TORQUE 0.3 Nm MAX.

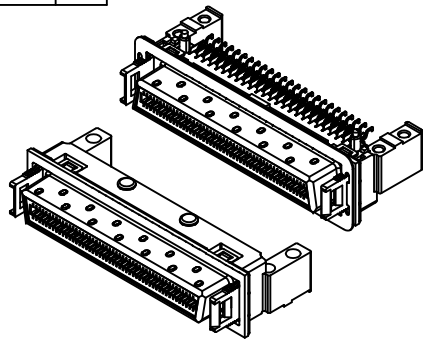
SEE SHEET 1 EC NO: E2008-0256 D 2008/04/28 DRINKLTERMAN CHKD: 2008/05/02 APPR: BMAGUIRE 2008/05/06 REV	QUALITY SYMBOLS	GENERAL TOLERANCES (UNLESS SPECIFIED)	DIMENSION STYLE	SCALE	DESIGN UNITS	THIRD ANGLE PROJECTION
	=0 >=0	mm INCH 4 PLACES ± --- ± --- 3 PLACES ± --- ± --- 2 PLACES ± 0.10 ± --- 1 PLACE ± 0.2 ± --- ANGULAR ± 2 °	MM ONLY	5:1	METRIC	
DESCRIPTION SEE SHEET 4 & 5 SIZE 1	DRAWN BY DWALSH DATE 11/11/04 CHECKED BY KDELANEY DATE 18/11/04 APPROVED BY JWALLACE DATE 25/11/04 MATERIAL NO. DOCUMENT NO. MOLEX INCORPORATED SD-91525-004	DRAFT WHERE APPLICABLE MUST REMAIN WITHIN DIMENSIONS	THIS DRAWING CONTAINS INFORMATION THAT IS PROPRIETARY TO MOLEX INCORPORATED AND SHOULD NOT BE USED WITHOUT WRITTEN PERMISSION	SHEET NO. 3 OF 5		

12 LATCH I/O	
REAR MOUNTS	NO
PANEL MOUNTS	NO
SOLDER POSTS	NO



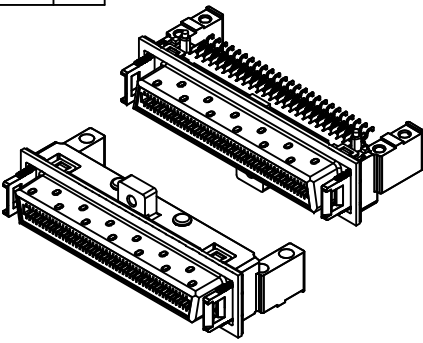
PART NO.	PACKAGING
91525-1210	TRAY
91525-8210	TAPE AND REEL

12 LATCH I/O	
REAR MOUNTS	YES
PANEL MOUNTS	NO
SOLDER POSTS	NO



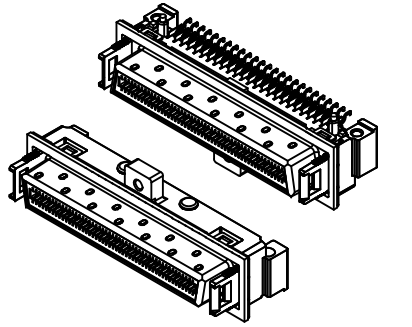
PART NO.	PACKAGING
91525-1212	TRAY
91525-8212	TAPE AND REEL

12 LATCH I/O	
REAR MOUNTS	YES
PANEL MOUNTS	YES
SOLDER POSTS	NO



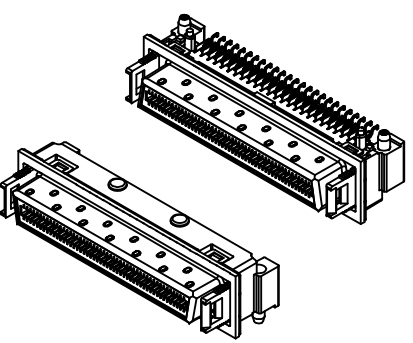
PART NO.	PACKAGING
91525-1214	TRAY
91525-8214	TAPE AND REEL

12 LATCH I/O	
REAR MOUNTS	NO
PANEL MOUNTS	YES
SOLDER POSTS	NO



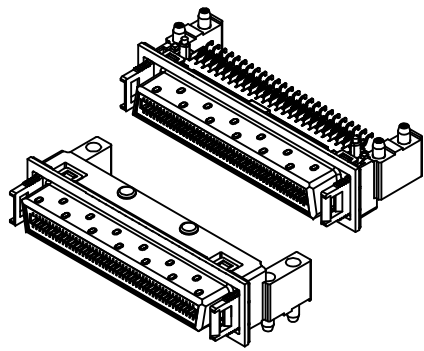
PART NO.	PACKAGING
91525-1216	TRAY
91525-8216	TAPE AND REEL

12 LATCH I/O	
REAR MOUNTS	NO
PANEL MOUNTS	NO
SOLDER POSTS	2



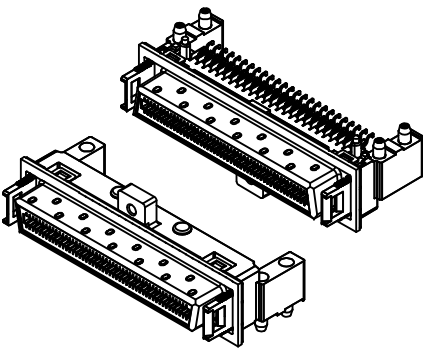
PART NO.	PACKAGING
91525-1250	TRAY
91525-8250	TAPE AND REEL

12 LATCH I/O	
REAR MOUNTS	YES
PANEL MOUNTS	NO
SOLDER POSTS	4



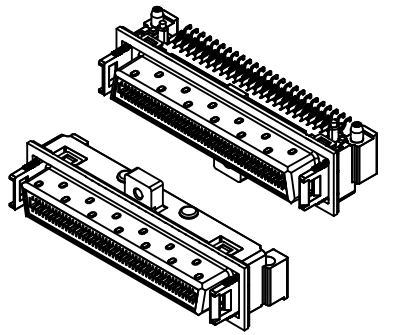
PART NO.	PACKAGING
91525-1252	TRAY
91525-8252	TAPE AND REEL

12 LATCH I/O	
REAR MOUNTS	YES
PANEL MOUNTS	YES
SOLDER POSTS	4



PART NO.	PACKAGING
91525-1254	TRAY
91525-8254	TAPE AND REEL

12 LATCH I/O	
REAR MOUNTS	NO
PANEL MOUNTS	YES
SOLDER POSTS	2



PART NO.	PACKAGING
91525-1256	TRAY
91525-8256	TAPE AND REEL

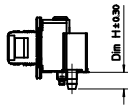
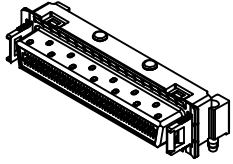
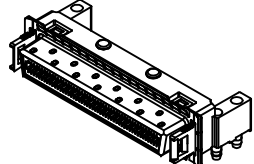
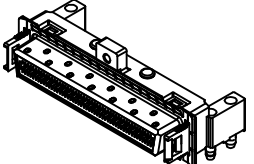
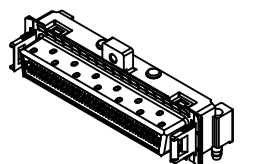
**NOTES:**  
 1. REFER TO SHEET 1 FOR ALL UNSPECIFIED NOTES AND DIMENSIONS.  
 2. REFER TO SHEET 2 FOR PCB LAYOUT  
 3. REFER TO SHEET 3 FOR OPTIONAL ASSEMBLY COMPONENTS AND DIMENSIONS.  
 4. FOR 4X PARTS WITH FOAM GASKET PLEASE REFER TO SD-91804-001

QUALITY SYMBOLS	▽=0	
	▽=0	
GENERAL TOLERANCES (UNLESS SPECIFIED)		
	mm	INCH
4 PLACES	± .10	± .004
3 PLACES	± .15	± .005
2 PLACES	± .20	± .008
1 PLACE	± .30	± .012
	ANGULAR ± 2°	
DRAFT WHERE APPLICABLE MUST REMAIN WITHIN DIMENSIONS		

DRAWN BY	DATE	TITLE
DWALSH	11/11/04	12X LATCH SALES DRAWING
CHECKED BY	DATE	
KDELANEY	18/11/04	
APPROVED BY	DATE	
JWALLACE	25/11/04	
MATERIAL NO.		
DOCUMENT NO.		
SEE SHEET 4 & 5		

SCALE	DESIGN UNITS	THIRD ANGLE PROJECTION
2.5:1	METRIC	
MOLEX INCORPORATED		
SHEET NO.	SHEET NO.	
4 OF 5	4 OF 5	
THIS DRAWING CONTAINS INFORMATION THAT IS PROPRIETARY TO MOLEX INCORPORATED AND SHOULD NOT BE USED WITHOUT WRITTEN PERMISSION		

# METAL GASKET AND SOLDER POST LENGTH OPTIONS

	PACKAGING				
		NO SOLDER POSTS	TRAY TAPE & REEL	91525-1211 91525-8211	91525-1213 91525-8213
Dim H = 2.3	TRAY	91525-1251	91525-1253	91525-1255	91525-1257
	TAPE & REEL	91525-8251	91525-8253	91525-8255	91525-8257
Dim H = 3.3	TRAY	91525-1261	91525-1263	91525-1265	91525-1267
	TAPE & REEL	91525-8261	91525-8263	91525-8265	91525-8267
Dim H = 4.3	TRAY	91525-1291	91525-1293	91525-1295	91525-1297
	TAPE & REEL	91525-8291	91525-8293	91525-8295	91525-8297

**NOTES:**

1. REFER TO SHEET 1 FOR ALL UNSPECIFIED NOTES AND DIMENSIONS.
2. REFER TO SHEET 2 FOR PCB LAYOUT
3. REFER TO SHEET 3 FOR OPTIONAL ASSEMBLY COMPONENTS AND DIMENSIONS.
4. FOR 4X PARTS WITH METAL GASKET PLEASE REFER TO SD-91804-003

SEE SHEET 1 EC NO: E2008-0258 DRAWN BY: DWALSH CHKD: KDELANEY APPR: BMAGUIRE	2008/04/28 2008/05/02 2008/05/06	QUALITY SYMBOLS ▽=0 ▽=0	GENERAL TOLERANCES (UNLESS SPECIFIED)		DIMENSION STYLE <b>MM ONLY</b>		SCALE 2:1	DESIGN UNITS METRIC	THIRD ANGLE PROJECTION		
			4 PLACES ± --- ± --- 3 PLACES ± --- ± --- 2 PLACES ± 0.10 ± --- 1 PLACE ± 0.2 ± ---	mm INCH	DRAWN BY DWALSH	DATE 11/11/04	TITLE 12X LATCH SALES DRAWING				
			DRAFT WHERE APPLICABLE MUST REMAIN WITHIN DIMENSIONS		CHECKED BY KDELANEY	DATE 18/11/04	APPROVED BY JWALLACE		DATE 25/11/04	MOLEX INCORPORATED	
			SEE SHEET 4 & 5		MATERIAL NO. SD-91525-004	DOCUMENT NO. SD-91525-004	SHEET NO. 5 OF 5				

THIS DRAWING CONTAINS INFORMATION THAT IS PROPRIETARY TO MOLEX INCORPORATED AND SHOULD NOT BE USED WITHOUT WRITTEN PERMISSION